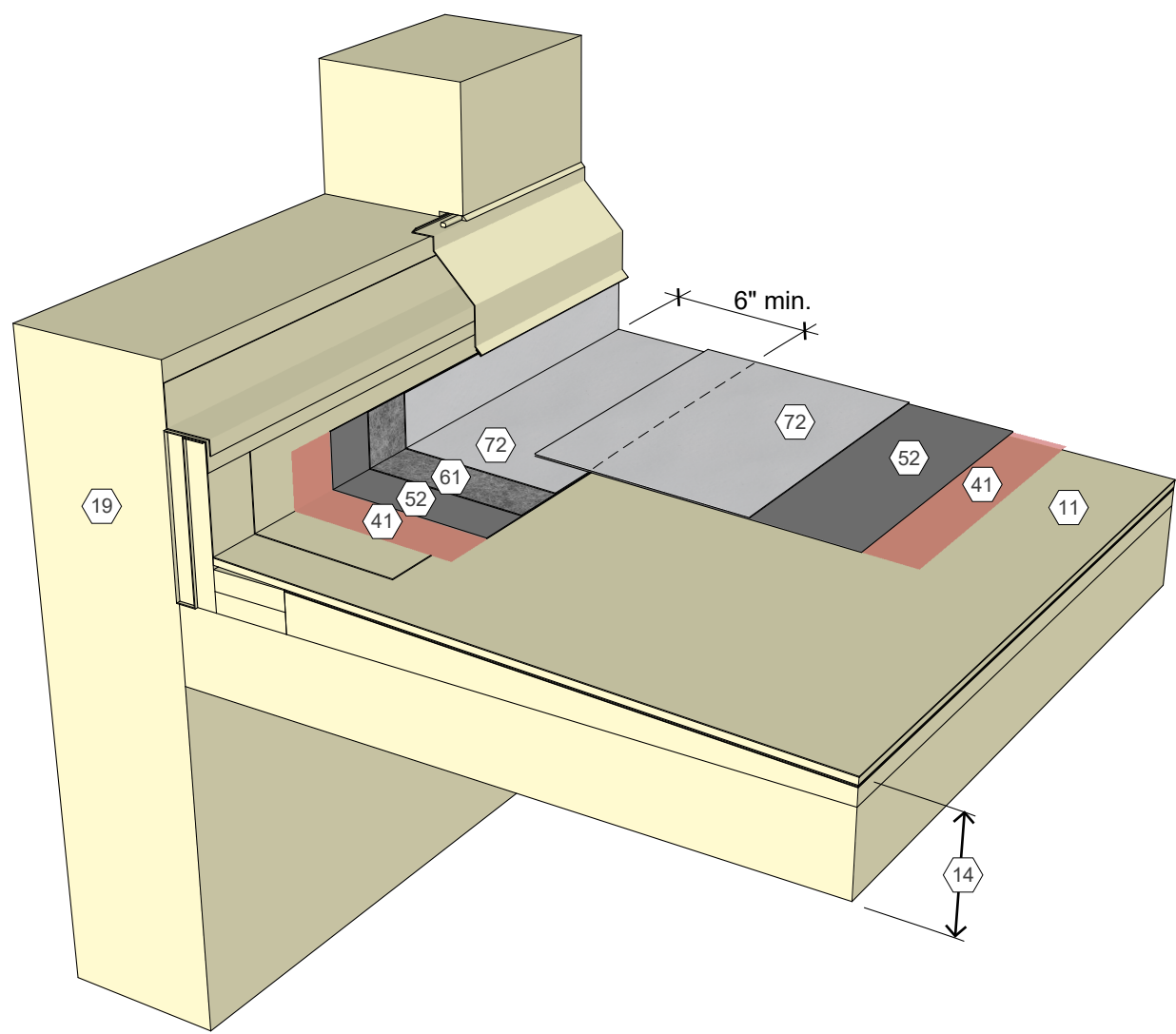


KEY NOTES

- 11 Existing Single-Ply Membrane
- 14 Existing Structural Deck and Insulation Assembly
- 19 Existing Wall Assembly
- 41 Approved Primer
- 52 AlphaGuard BIO Base Coat
- 61 AlphaGuard Glass Mat or Permafab
- 72 AlphaGuard BIO Top Coat

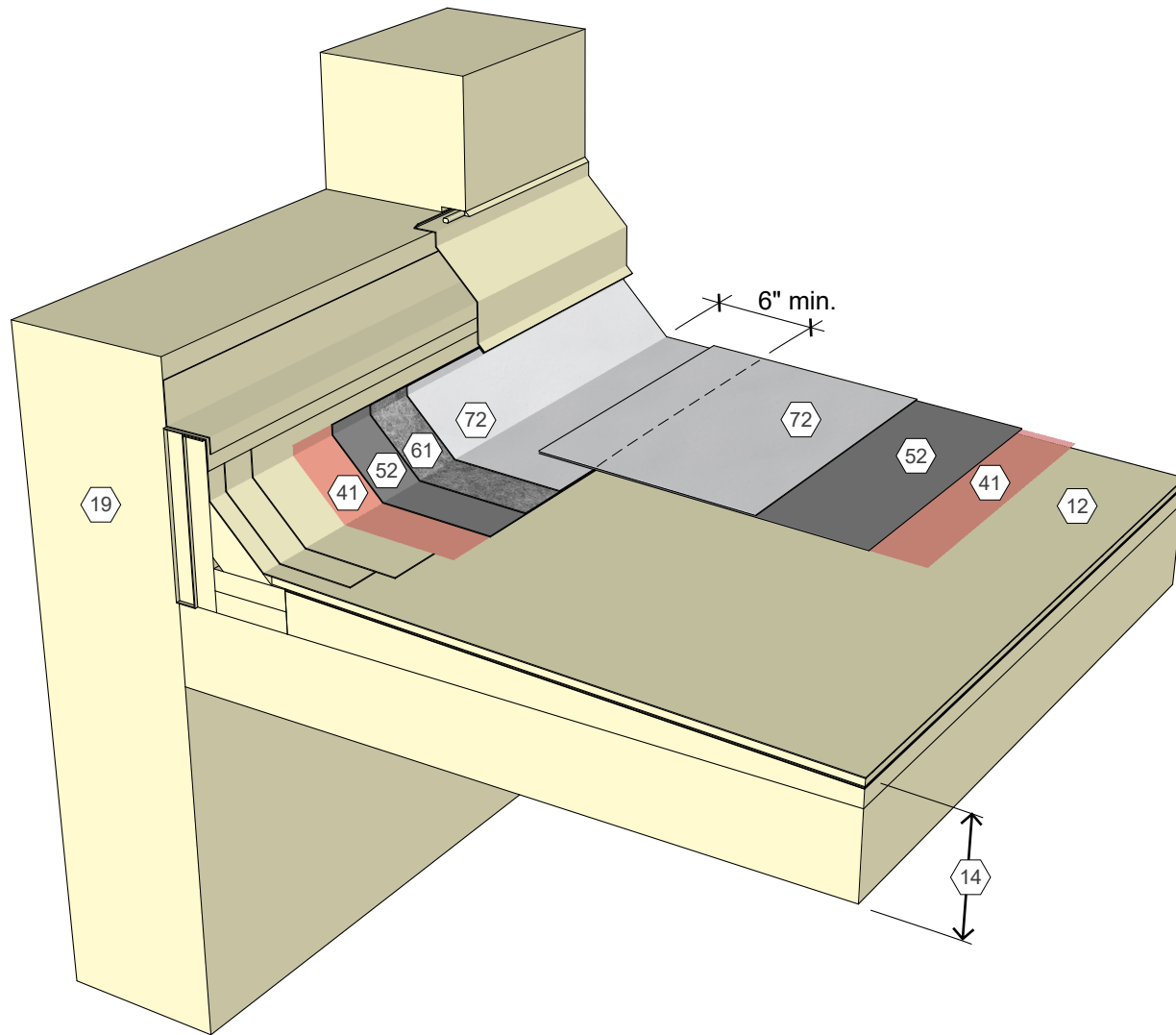


AlphaGuard® BIO NR Restoration Detail, Single-Ply, Parapet Wall, Non-Supported
Detail 15061



KEY NOTES

- 12 Existing MB or Smooth BUR
- 14 Existing Structural Deck and Insulation Assembly
- 19 Existing Wall Assembly
- 41 Approved Primer
- 52 AlphaGuard BIO Base Coat
- 61 AlphaGuard Glass Mat or Permafab
- 72 AlphaGuard BIO Top Coat



AlphaGuard® BIO NR Restoration Detail, MB or Smooth BUR, Parapet Wall, Non-Supported
Detail 15062